



**EIMCO ELECON**

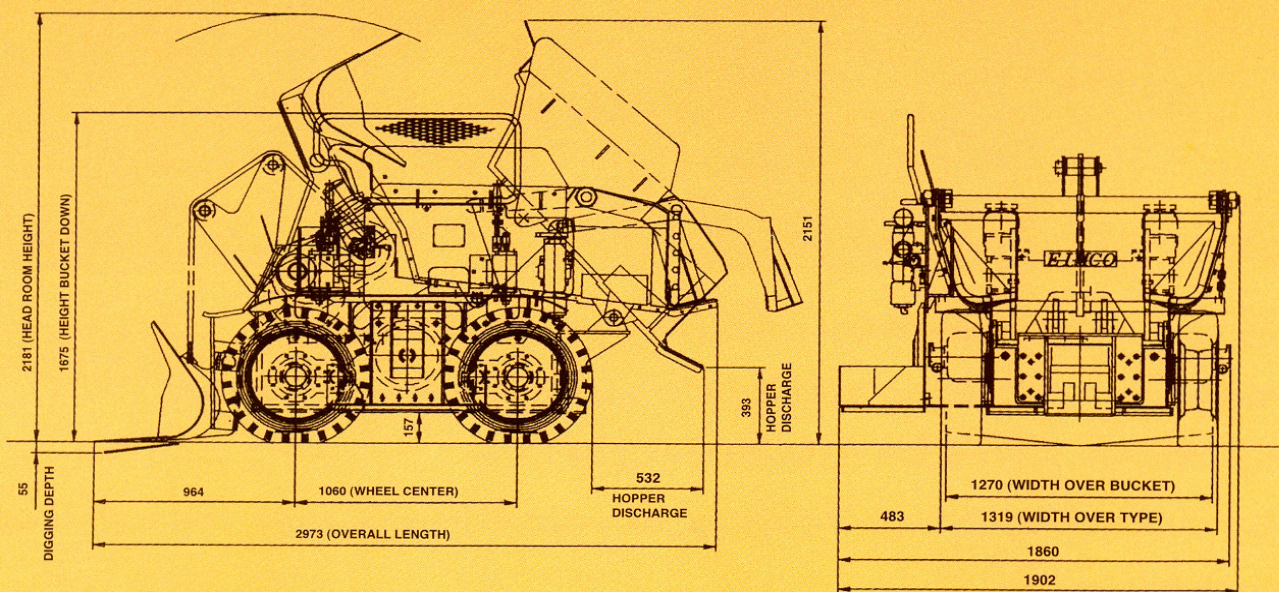
# 150/1000B MK-II HOPPER LOADER



- Heavy-duty gear train for low noise and trouble free operation.
  - Sturdy and rigid operator's platform for safety and ease of operation.
  - High strength and impact resistant structure.
  - High productivity through higher speed, large discharge angle and high hopper discharge height.
  - Low headroom permits operation in confined conditions.
  - Light machine weight permits easy handling and transportation.
  - Extra large bearing on gear train for longer life.
  - Box type structure of arm for higher rigidity.
  - Splined axles for ease of maintenance.
  - Spool type valves for smooth and easy operations.
-

## GENERAL CHARACTERISTICS

- Bucket capacity : 0.15 Cu.M.
- Hopper capacity : 1.0 Cu.M.
- Air motor : 12 HP for each traction  
12 HP for bucket operation
- Machine speed : 1.76 m/sec.
- Operating pressure : 65-100 psi
- Machine weight : 3000 Kgs.
- Tyre size : 7.00 x 12 ( Extra molded )
- Head room height : 2180 mm
- Hopper discharge height : 395 mm



The manufacturer reserves the right to change the specification and / or design of this machine at any time without notice.  
The above dimensions are of standard machine not fitted with any optional items.

## EIMCO ELECON (INDIA) LTD.

ANAND SOJITRA ROAD, VALLABH VIDYANAGAR - 388120, GUJARAT, INDIA

Tel. : (02692) 30502, 30602, 30902; Fax : (02692) 36506, (022) 2870791, E-mail : eeildir@eimco.elecon.com

### BRANCH OFFICE :

#### ASANSOL

Ph. : (0341) 205901, Fax : (0341) 202038

#### BANGALORE

Ph. : (080) 2260219, Fax : (080) 2281834

#### BILASPUR

Ph. : (07752) 28922, Fax : (07752) 23188

#### CHENNAI

Ph. : (044) 4349237, Fax : (044) 4349643

#### DHANBAD

Ph. : (0326) 306283, Fax : (0326) 302320

#### JAMSHEDPUR

Ph. : (0657) 428138, Fax : (0657) 428015

#### KOLKATA

Ph. : (033) 4761861, Fax : (033) 4761831

#### MUMBAI

Ph. : (022) 2821315, Fax : (022) 2870791

#### NAGPUR

Ph. : (0712) 540771, Fax : (0712) 554982

#### NEW DELHI

Ph. : (011) 3414339, Fax : (011) 3709046

#### SECUNDERABAD

Ph. : (040) 7844748, Fax : (040) 7848317