



## FEATURES

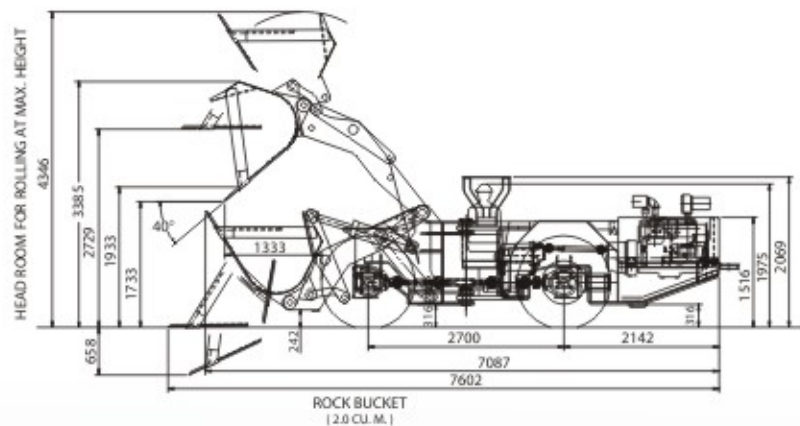
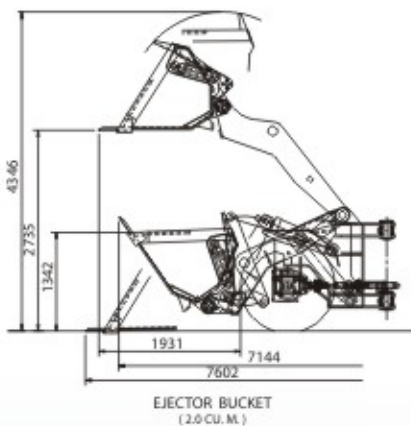
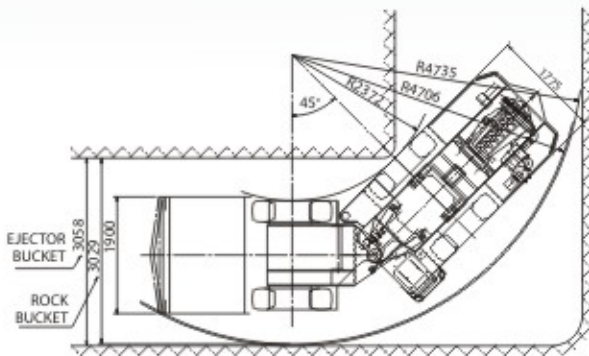
---

- Full power shift transmission.
  - Short loading and tramming cycles.
  - Designed for effective maintenance.
  - Compact in size with short turning radius.
  - High dumping height for easy truck loading.
  - High strength and impact resistant structure.
  - No spin differential on both front and rear axles.
  - Simple 24V electric system for ease of maintenance.
  - Modulated clutch for reduced shocks and drive train stress.
  - Spacious operator compartment on rear chassis at articulation.
  - Pilot operated controls for reduced fatigue and increased productivity.
  - Unique articulation joint and rear axle oscillation for minimum downtime.
-

# SPECIFICATIONS

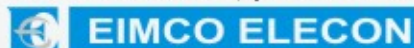
<b>Standard bucket</b>	: 2.0 m <sup>3</sup> (SAE heaped)
<b>Pay load</b>	: 4,000 Kg
<b>Breakout force</b>	: 6,700 Kg (Digging) 11,890 Kg (Hyd. combined)
<b>Capacity (tipping)</b>	: 6,640 Kg
<b>Operating weight</b>	: 10,600 Kg (approx.)
<b>Standard engine</b>	: Deutz F6L 912 W
<b>Power</b>	: 62 kW 2,300 rpm
<b>Transmissions</b>	: Clark, R 32420, 3 F & 3 R speeds
<b>Axle</b>	: Rigid axle with no spin differential

<b>Brakes</b>	
<b>Service</b>	: Liquid Cold Fully inclosed oil Embarrassed disk type on four wheels with power Hydraulic
<b>Parking</b>	: Spring Applied Hydraulically Released Oil Immersed Disk type on front wheels
<b>Tyres</b>	: 12.00 X 24 - 20 PR or 14.00 X 25 - 20 PR (On request)
<b>Steering</b>	: Full power articulated with accumulator reserve. (Stick / wheel)
<b>Electric system</b>	: 24 V
<b>Lights</b>	: 3 Front and 3 Rear
<b>Operating seat</b>	: Cross seating, Bi- directional operation with maximum visibility and easy access to controls.
<b>Oscillation</b>	: ± 8° from horizontal.



The manufacturer reserves the right to amend/modify the specifications and/or design of this machine at any time without notice. The dimensions are in mm & of standard machine not fitted with any optional items.

For further details, please contact

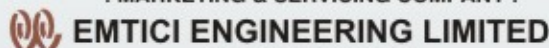


## EIMCO ELECON (INDIA) LIMITED

ANAND SOJITRA ROAD, VALLABH VIDYANAGAR 388120, GUJARAT, INDIA.

Tel. : (02692) 230502, 230602, 230902; Fax : (02692) 236506, Web : eimcoelecon.in E-mail : mktgsales@eimco.elecon.com

: MARKETING & SERVICING COMPANY :



BRANCH OFFICES

**ASANSOL**  
Ph.: (0341) 2305901, Fax: 2302038

**CHENNAI**  
Ph.: (044) 24349237, Fax: 24349643

**KOLKATA**  
Ph.: (033) 24761861, Fax: 24761831

**NEW DELHI**  
Ph.: (011) 23414339, Fax: 23709046

**BANGALORE**  
Ph.: (080) 22260219, Fax: 22281834

**DHANBAD**  
Ph.: (0326) 2306283, Fax: 2302320

**MUMBAI**  
Ph.: (022) 22821315, Fax: 22870791

**SECUNDERABAD**  
Ph.: (040) 27844748, Fax: 27848317

**BILASPUR**  
Ph.: (07752) 247625, Fax: 247720

**JAMSHEDPUR**  
Ph.: (0657) 2428138, Fax: 2428015

**NAGPUR**  
Ph.: (0712) 2540771, Fax: 2554982