



FEATURES

- Low height to work in low seam.
 - Heavy duty power shift transmission.
 - Simple hydraulics for ease of maintenance.
 - High strength and impact resistant structure.
 - Hydraulic system suitable for HFB / HFDU / Mineral oil.
 - Pilot operated controls for ease of operation with reduced fatigue.
 - High tractive efforts for working in steep gradient and single pass loading.
 - Cross seating operator position for better bi-directional visibility and safety.
 - Extra large cooling system and tank capacity for lower operating temperature with HFB fluid.
 - As operator is on rear frame, this machine facilitates winning of coal from goaf upto the depth of 5m.
-

SPECIFICATIONS

Bucket capacity	: 1.5 m ³ (Coal, SAE heaped)
Pay load	: 2,250 Kg
Breakout force	: 3,630 Kg (approx.)
Electric motor	: 50 HP, 500/550 V, 3 phase 50 Hz
Operating weight	: 9,000 kg (approx.)
Steering	: Full power articulated with accumulator reserve
Cable reel	: Random reeling type
Hydraulic pump	: Gear type
Parking brake	: Spring Applied Hydraulically Released, fail safe wet disc type on front wheels
Service brakes	: Fully enclosed wet disc type on all four wheels
Tyre	: 9.00 x 20, 16 Ply
Lights	: 12 V or 24 V, 2 Front and 2 Rear

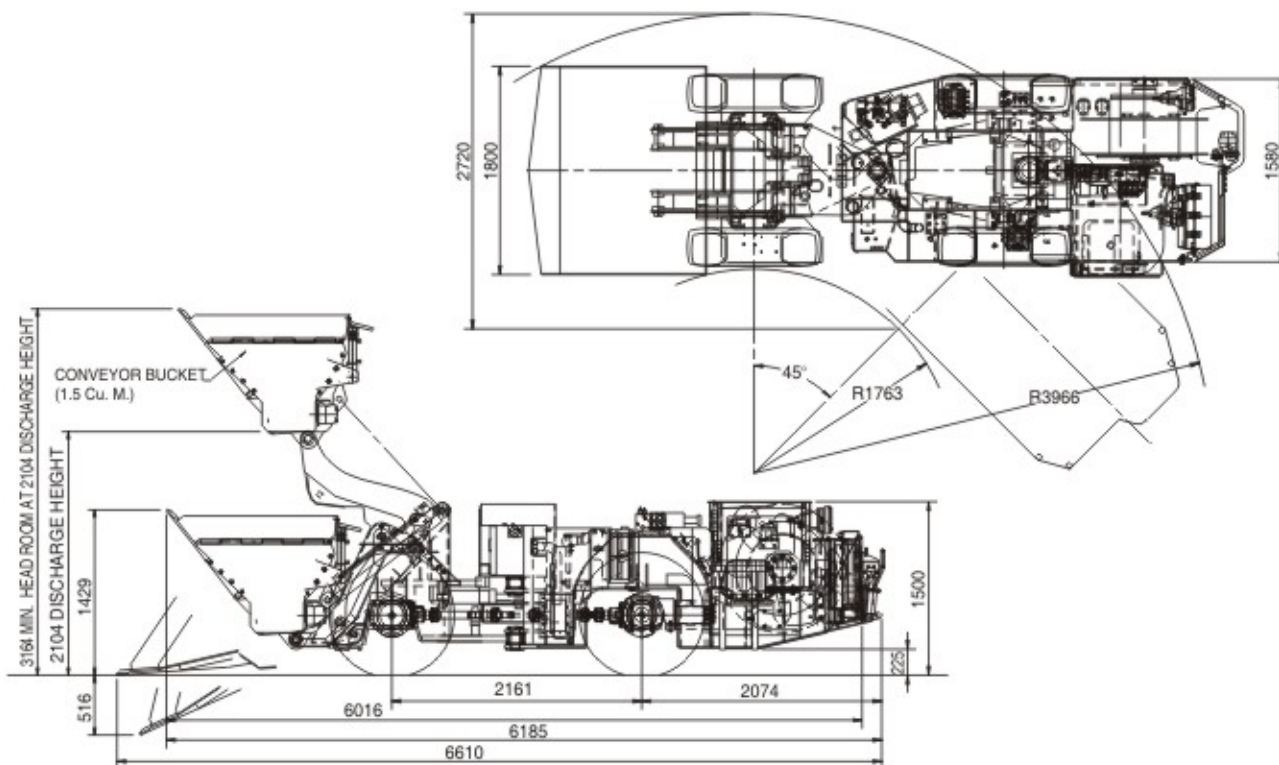
OPTIONAL

Type size	: 11.00 x 20
Voltage	: 440 Volts

Remote control

Bucket type & size :

1. Coal application -
 Bi-directional conveyor type 1.1 m³ (SAE heaped)
 Front discharge or push plate type 1.5 m³ (SAE heaped)
2. Rock application -
 Front discharge or push plate type 0.9 m³ (SAE heaped)



The manufacturer reserves the right to amend/modify the specifications and/or design of this machine at any time without notice. The dimensions are in mm & of standard machine not fitted with any optional items.

For further details, please contact

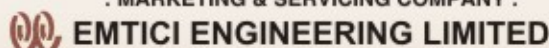


EIMCO ELECON (INDIA) LIMITED

ANAND SOJITRA ROAD, VALLABH VIDYANAGAR 388120, GUJARAT, INDIA.

Tel. : (02692) 230502, 230602, 230902; Fax : (02692) 236506, Web : www.eimcoelecon.in E-mail : mktgsales@eimco.elecon.com

: MARKETING & SERVICING COMPANY :



BRANCH OFFICES

ASANSOL Ph.: (0341) 2305901, Fax: 2302038	BANGALORE Ph.: (080) 22260219, Fax: 22281834	BILASPUR Ph.: (07752) 247625, Fax: 247720
CHENNAI Ph.: (044) 24349237, Fax: 24349643	DHANBAD Ph.: (0326) 2306283, Fax: 2302320	JAMSHEDPUR Ph.: (0657) 2428138, Fax: 2428015
KOLKATA Ph.: (033) 24761861, Fax: 24761831	MUMBAI Ph.: (022) 22821315, Fax: 22870791	NAGPUR Ph.: (0712) 2540771, Fax: 2554982
NEW DELHI Ph.: (011) 23414339, Fax: 23709046	SECUNDERABAD Ph.: (040) 27844748, Fax: 27848317	