



The electro-hydraulic operated 611 Drill is designed for face and roof bolt drilling in underground coal mines.



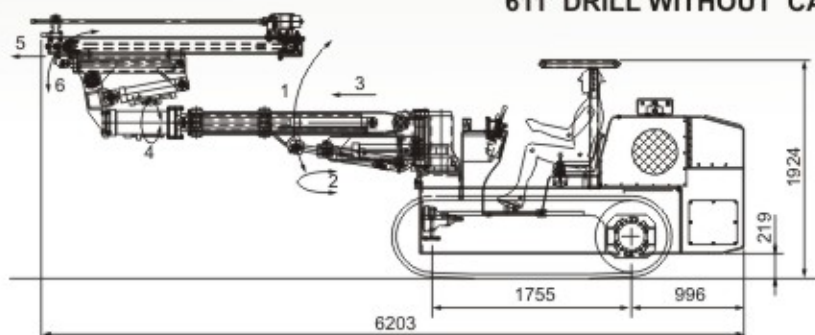
FEATURES

- Rotary drill ensures fast drilling speed.
 - Maximum stiffness to meet the hardest underground mining condition.
 - Robust universal boom with 360° rotation for fast and easy face & roof drilling.
 - All the service points are well protected but easy to access for fast and economic maintenance.
 - Large and optimum shaped coverage allowing maximum bolts implementation from one setting.
 - Powerful crawler carrier ensures fast and safe maneuvering in narrow drifts and under low coal seams.
 - Compact feed allows drilling under low roof height and is a simple robust design for minimum maintenance.
 - Maximum penetration speed to complete full face drilling in a minimum time and to maximize production.
-

SPECIFICATIONS

Hole dia	: 25 - 64 mm	Ground pressure	: 0.90 kg/cm ²
Lights	: 3 Front and 2 Rear	Weight	: 9,500 kg (approx.)
Automatic cable reel	: FLP, Random reeling	Power pack	: 48 kW (65 hp) FLP
Tramming speed	: 2.1 kmph max. horizontal	Carrier	: Eimco Model 611 SDL
Steering	: Independent tracks pilot control		
Transmission motors	: Load sensing hydrostatic axial piston type variable displacement		
Brakes	: Spring Applied Hydraulically Released brakes on both traction gear box (shrink disc negative) in addition to hydrostatic on both traction motor.		

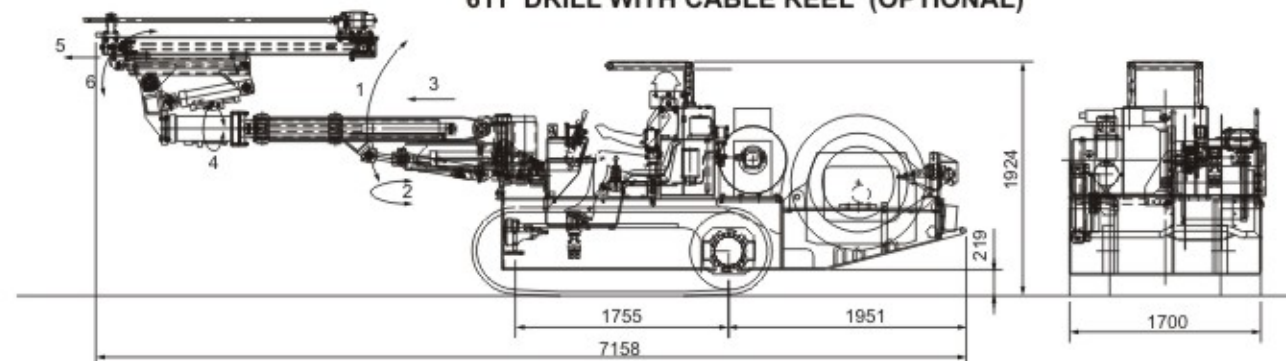
611 DRILL WITHOUT CABLE REEL



BOOM MOVEMENTS

- | | |
|---------------------------|--------------|
| 1. BOOM LIFT, UP & DOWN | 45° AND 24° |
| 2. BOOM SWING, SYMMETRIC | ± 36° |
| 3. BOOM EXTENSION | UP TO 800 mm |
| 4. BOLTING HEAD ROLL-OVER | 360° |
| 5. FEED EXTENSION | UP TO 800 mm |
| 6. BOLTING HEAD TILT | +93° AND -3° |

611 DRILL WITH CABLE REEL (OPTIONAL)



The manufacturer reserves the right to amend/modify the specifications and/or design of this machine at any time without notice. The dimensions are in mm & of standard machine not fitted with any optional items.

For further details, please contact



EIMCO ELECON (INDIA) LIMITED

ANAND SOJITRA ROAD, VALLABH VIDYANAGAR 388120, GUJARAT, INDIA.

Tel. : (02692) 230502, 230602, 230902; Fax : (02692) 236506, Web : www.eimcoelecon.in, E-mail : mktgsales@eimco.elecon.com

: MARKETING & SERVICING COMPANY :



EMTICI ENGINEERING LIMITED

BRANCH OFFICES

ASANSOL Ph.: (0341) 2305901, Fax: 2302038	BANGALORE Ph.: (080) 22260219, Fax: 22281834	BILASPUR Ph.: (07752) 247625, Fax: 247720
CHENNAI Ph.: (044) 24349237, Fax: 24349643	DHANBAD Ph.: (0326) 2306283, Fax: 2302320	JAMSHEDPUR Ph.: (0657) 2428138, Fax: 2428015
KOLKATA Ph.: (033) 24761861, Fax: 24761831	MUMBAI Ph.: (022) 22821315, Fax: 22870791	NAGPUR Ph.: (0712) 2540771, Fax: 2554982
NEW DELHI Ph.: (011) 23414339, Fax: 23709046	SECUNDERABAD Ph.: (040) 27844748, Fax: 27848317	